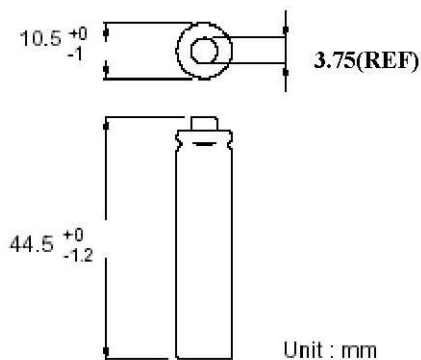
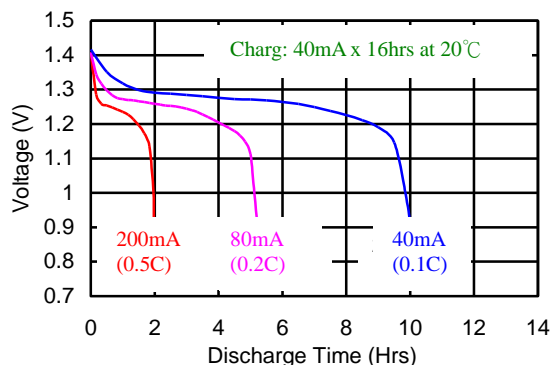


<b>Type</b>	: Rechargeable Nickel Metal Hydride Cylindrical Cell
<b>Nominal Dimension (with Sleeve)</b>	: $\Phi = 10.5\text{mm}$ H = 44.5mm
<b>Applications</b>	: Recommended discharge current 20 to 1200mA
<b>Nominal Voltage</b>	: 1.2V
<b>Capacity</b>	: Nominal: 400mAh Minimum: 400mAh Typical: 425mAh When discharged at 80mA to 1.0V at 20°C
<b>Charge Retention</b>	: 80% of nominal capacity after cell storage at 20°C for 24 months When discharged at 190mA to 1.0V at 20°C
<b>Charging Condition</b>	: 40mA for 16 hrs at 20°C
<b>Fast Charge</b>	: 200mA to 400mA (0.5 to 1C) charge termination control recommended control parameters: **TCO : 45 - 50°C **Timer : 105% nominal input (for ref. only) ** for ref. only
<b>Service Life</b>	: Up to 300 cycles (IEC standard)
<b>Continuous Overcharge</b>	: 40mA maximum current for 1 year. No conspicuous deformation and/or leakage
<b>Weight</b>	: 11.5g
<b>Internal Resistance</b>	: Average 55m $\Omega$ upon fully charged Max. 75m $\Omega$ at 1000Hz
<b>Max. Charging Voltage</b>	: 1.5V at 40mA charging
<b>Ambient Temperature Range</b>	: Standard Charge : 0 to 45°C Fast Charging : 10 to 45°C Discharge : -20 to 50°C Storage : -20 to 35°C

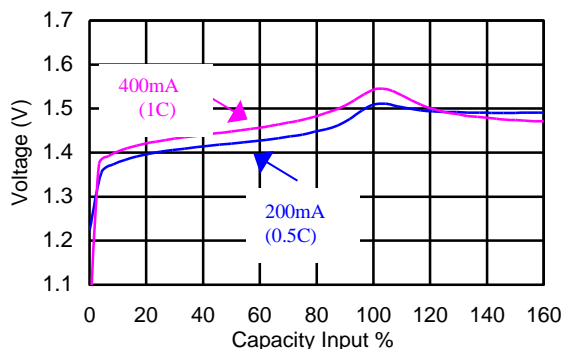
### Model No.: GP40AAAHC



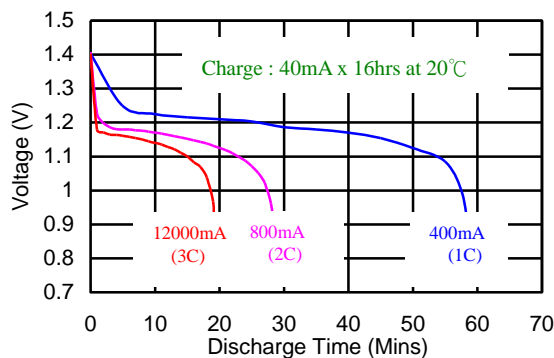
#### Low Rate Discharge



#### Fast Charge (Charge Control Required)



#### High Rate Discharge



The information (subject to change without prior notice) contained in this document is for reference only and should not be used as a basis for product guarantee or warranty. For applications other than those described here, please consult your nearest GP Sales and Marketing Office or Distributors.

TRS0781 Rev.0